

# VIBRA-SAFE X.8 \*

## SECURE WITH THREAD LOCKING

The new **Vibra-Safe X.8 System** has been designed for higher product safety and easier mating operation in rugged environments. It provides these advantages:

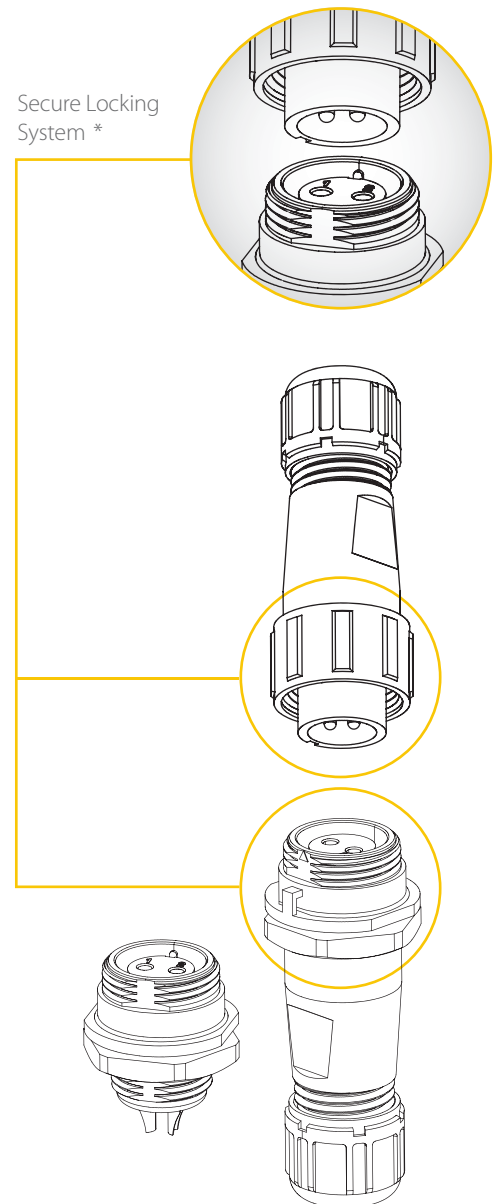
- > Secure locking system
- > IP 68 approved
- > Protection against mismatching
- > Requires minimum space by new design
- > Wire to wire and wire to front panel available

GSN recommends to use the vibra-safe series as standard solution in your product applications. For higher safety and a better contact performance!

### MAIN PRODUCT FEATURES

Outer diameter:	max. 20mm
Pole No & current rating:	02-, 03-pole: 13A 04-, 05-, 06-, 07-pole: 5A / 09-pole: 3A
Mating options::	Wire to wire and front panel

Please ask for specs/samples: [service@gsn.cn.com](mailto:service@gsn.cn.com)



\* Trusted Safety for Vibrating Environments!

